

BEDIENUNGSANLEITUNG

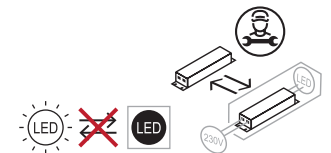
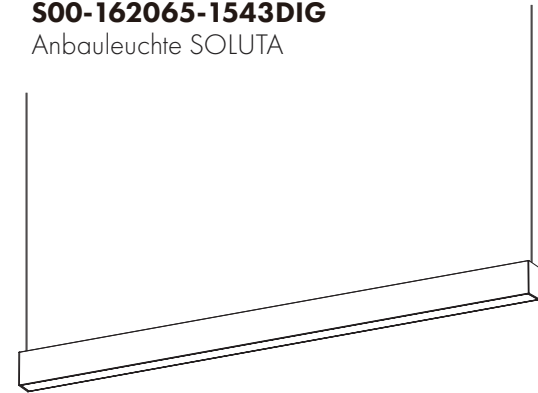
S00-162060-1541DIG

S00-162060-1543DIG

S00-162065-1541DIG

S00-162065-1543DIG

Anbauleuchte SOLUTA



Dieses Produkt enthält eine Lichtquelle
der Energieeffizienzklasse <E>.

Safety Instructions

To ensure correct function and safety, please read and follow all instructions carefully before using the product:

1. Turn off power supply before installation or before doing any maintenance work.
2. Do not install any luminaire near the heat source.
3. Do not exceed the nominal supply voltage or amperage ratings.
4. All wiring and installation of the light fitting must adhere to local and national wiring rules.
5. Take care not to pull any electrical wires during unpacking as this may damage the connection.
6. Lay out all the components on a smooth surface and make sure there are no components missing before assembling.
7. To avoid injury or damage to the fitting, please ensure that power leads and screws are secure before connecting the power.
8. Please keep instructions for future reference.
9. Please refer to IP(Ingress Protection) rating of this luminaire when deciding the location of installation.

Installation Instruction

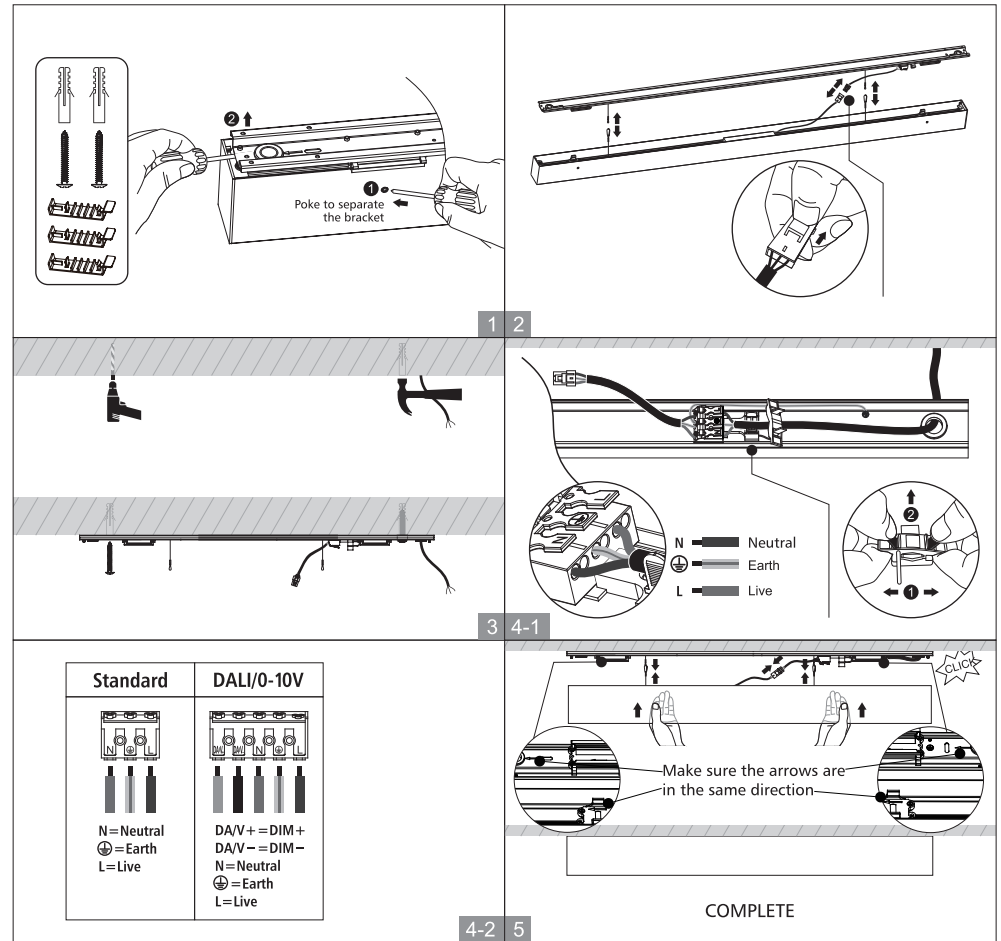
WARNING

1. Switch off before installation.
2. Switch on only after complete installation and examination of the circuit.
3. Professional electrician for installation and maintenance only.








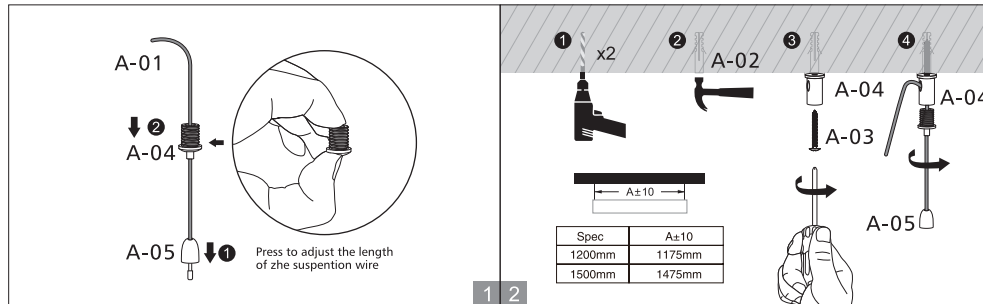
Turn Off power supply before starting any installation. Read instructions & check you have all the tools & accessories to complete the installation correctly. The light source contained in this luminaire shall only be replaced by the manufacturer or his service agent or a similar qualified person.

Surface mounted installation



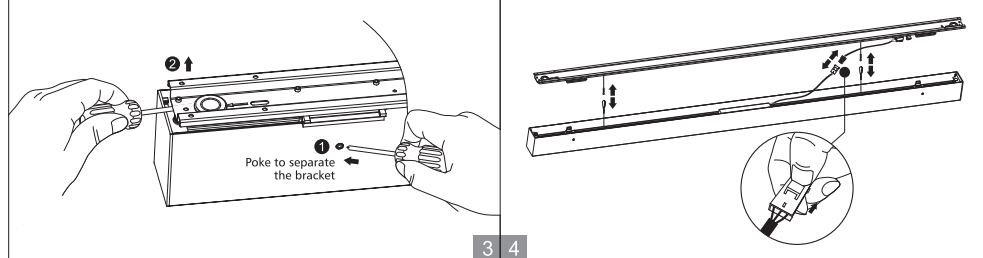
Suspended installation (Without round ceiling plate)

Code	A-01 	A-02 	A-03 	A-04 	A-05 
ACC	x2	x2	x2	x2	x2

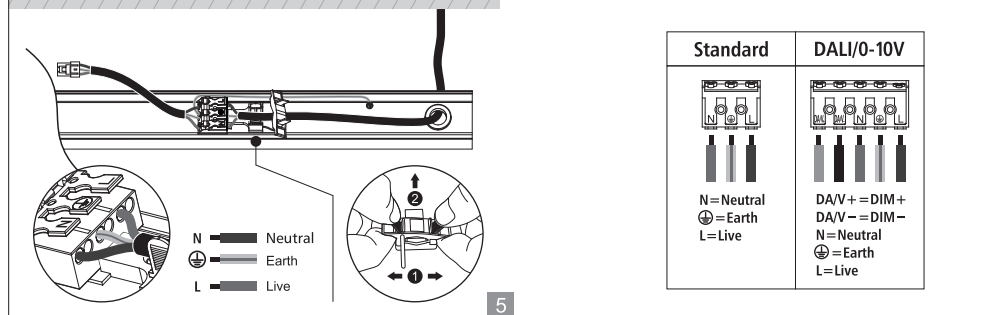


1 2

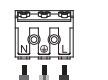
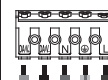
Spec	A±10
1200mm	1175mm
1500mm	1475mm

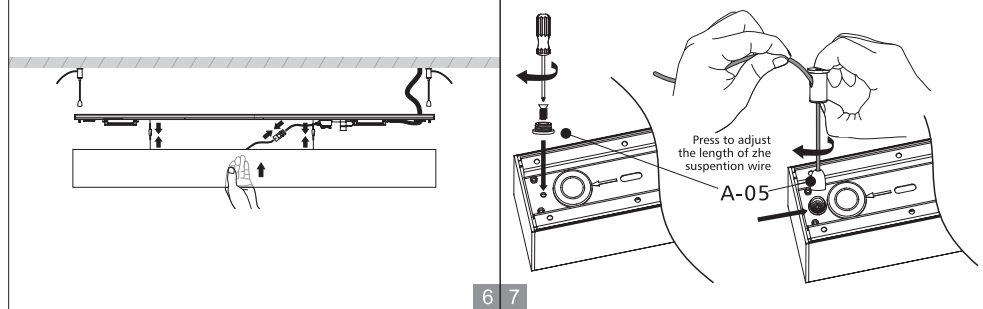


3 4

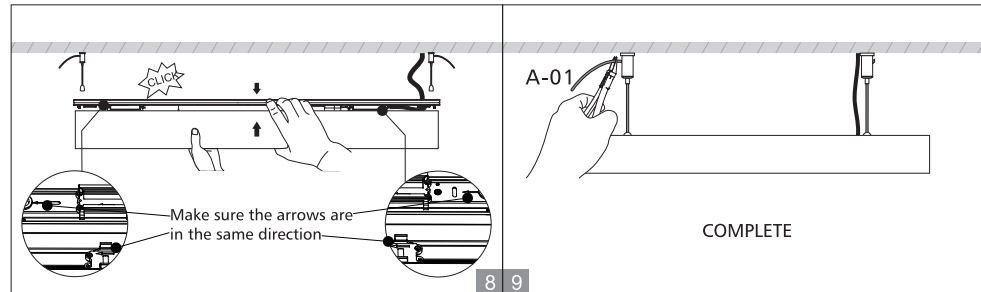


5

Standard	DALI/0-10V
	
N=Neutral ⊕=Earth L=Live	DA/V+=DIM+ DA/V-=DIM- N=Neutral ⊕=Earth L=Live






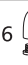


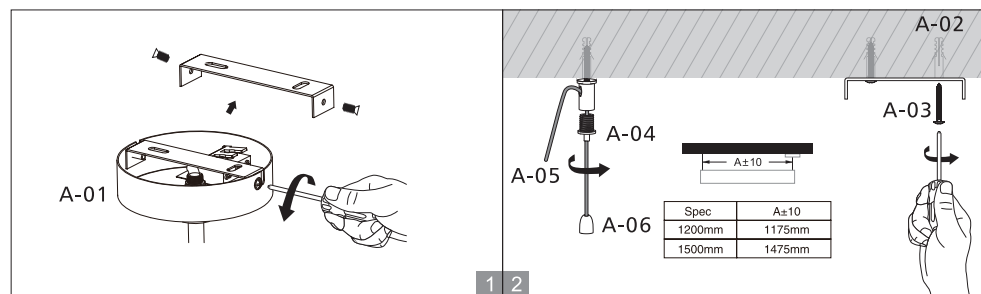
6 7



8 9

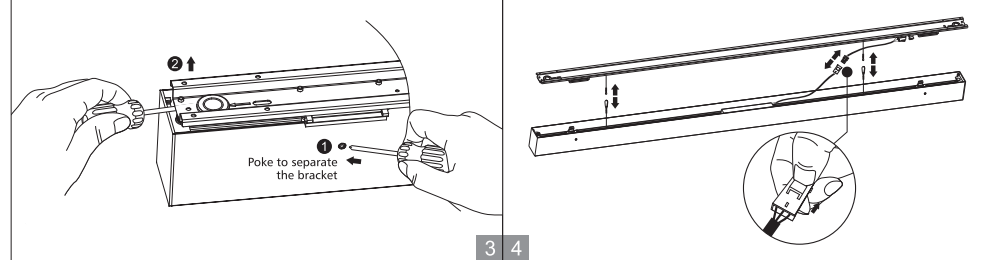
Suspended installation (With round ceiling plate)

Code	A-01 	A-02 	A-03 	A-04 	A-05 	A-06 
ACC	x1	x3	x3	x2	x2	x2

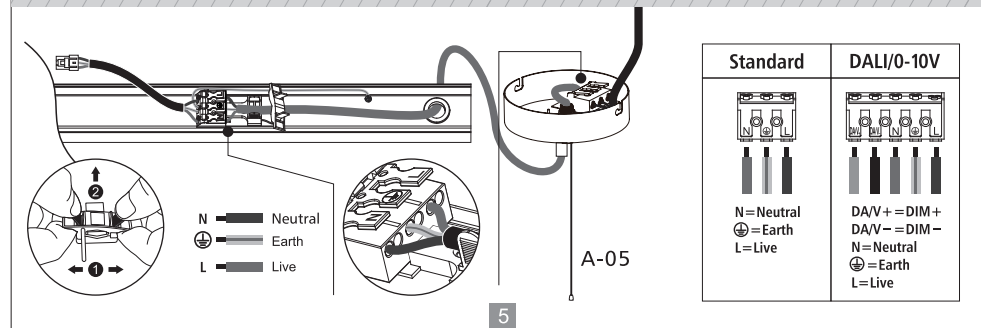


1 2

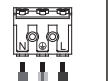
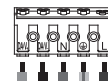
Spec	A±10
1200mm	1175mm
1500mm	1475mm

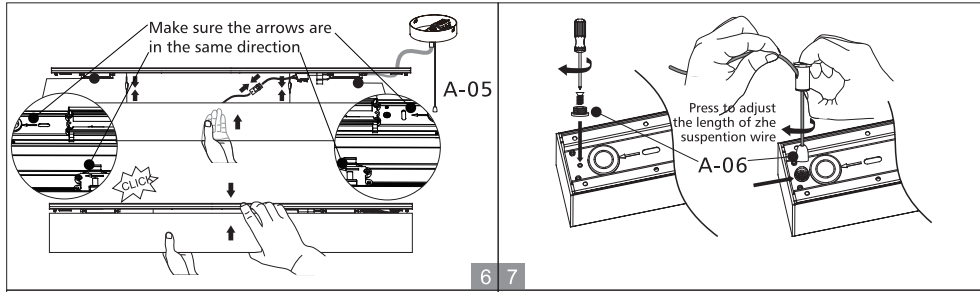


3 4

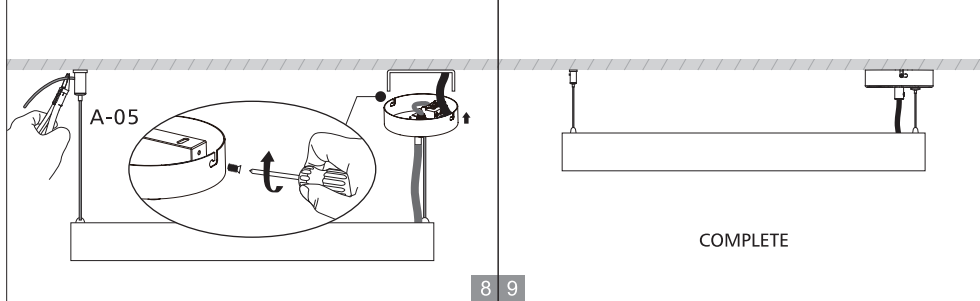


5

Standard	DALI/0-10V
	
N=Neutral ⊕=Earth L=Live	DA/V+=DIM+ DA/V-=DIM- N=Neutral ⊕=Earth L=Live







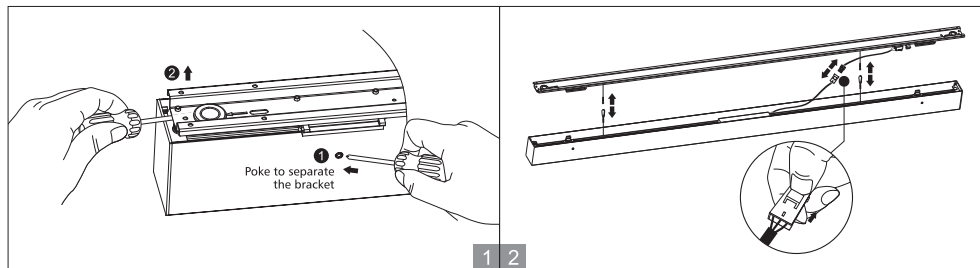
6 7



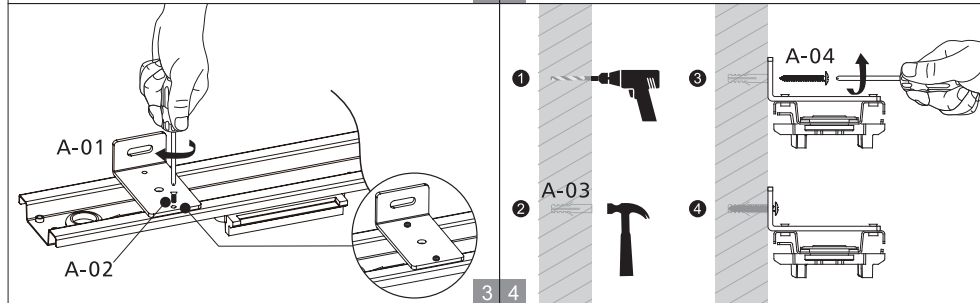
8 9

Wall mounted installation

Code	A-01 	A-02 	A-03 	A-04 
ACC	x2	x4	x2	x2

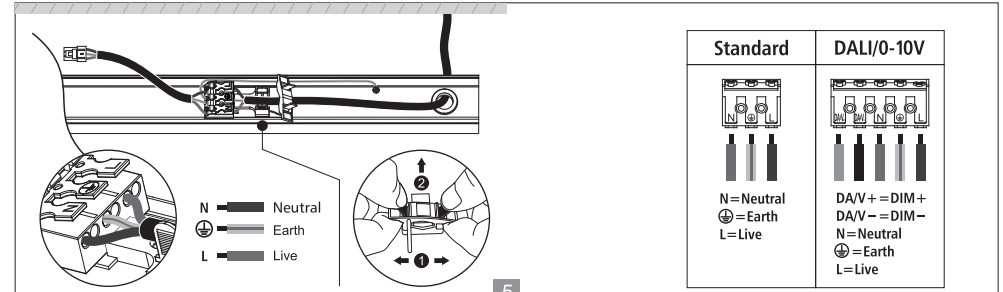


1 2

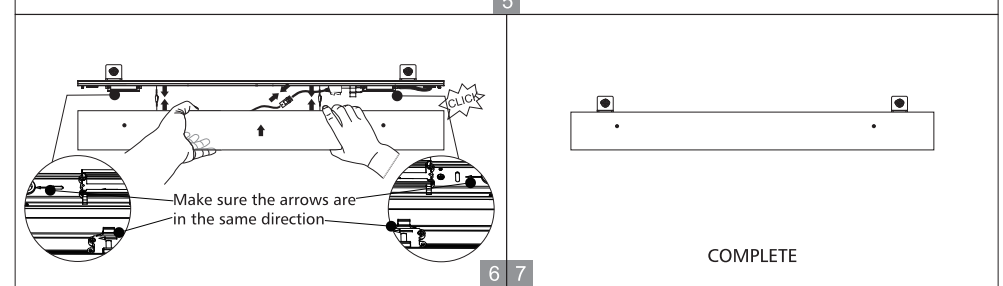


3 4

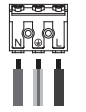

5







5

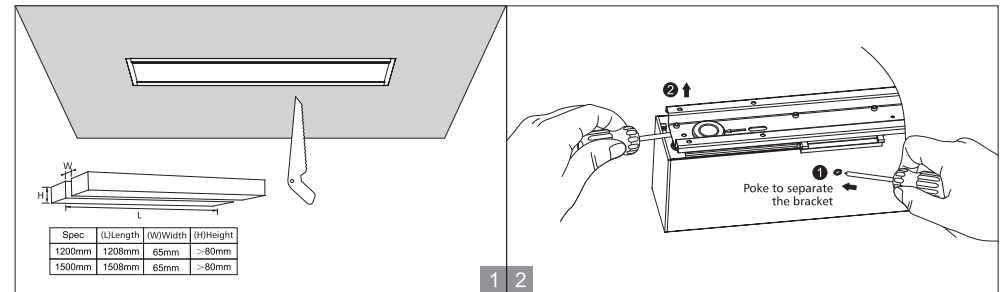


6 7

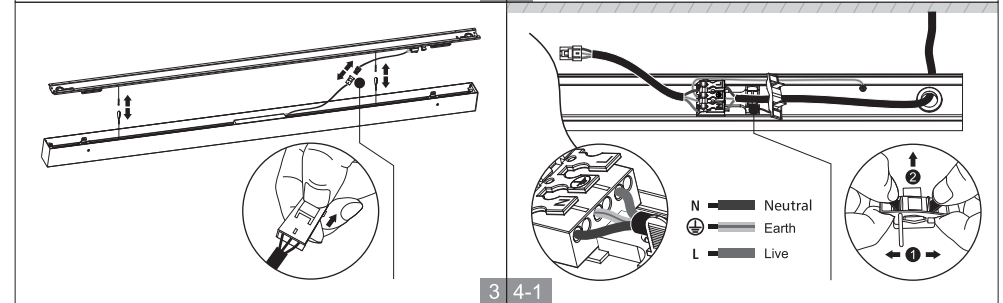
Standard	DALI/0-10V
 <p>N = Neutral ⊕ = Earth L = Live</p>	 <p>DA/V+ = DIM+ DA/V- = DIM- N = Neutral ⊕ = Earth L = Live</p>

Recessed installation

Code	A-01 	A-02 	A-03 	A-04 
ACC	x2	x2	x4	x4

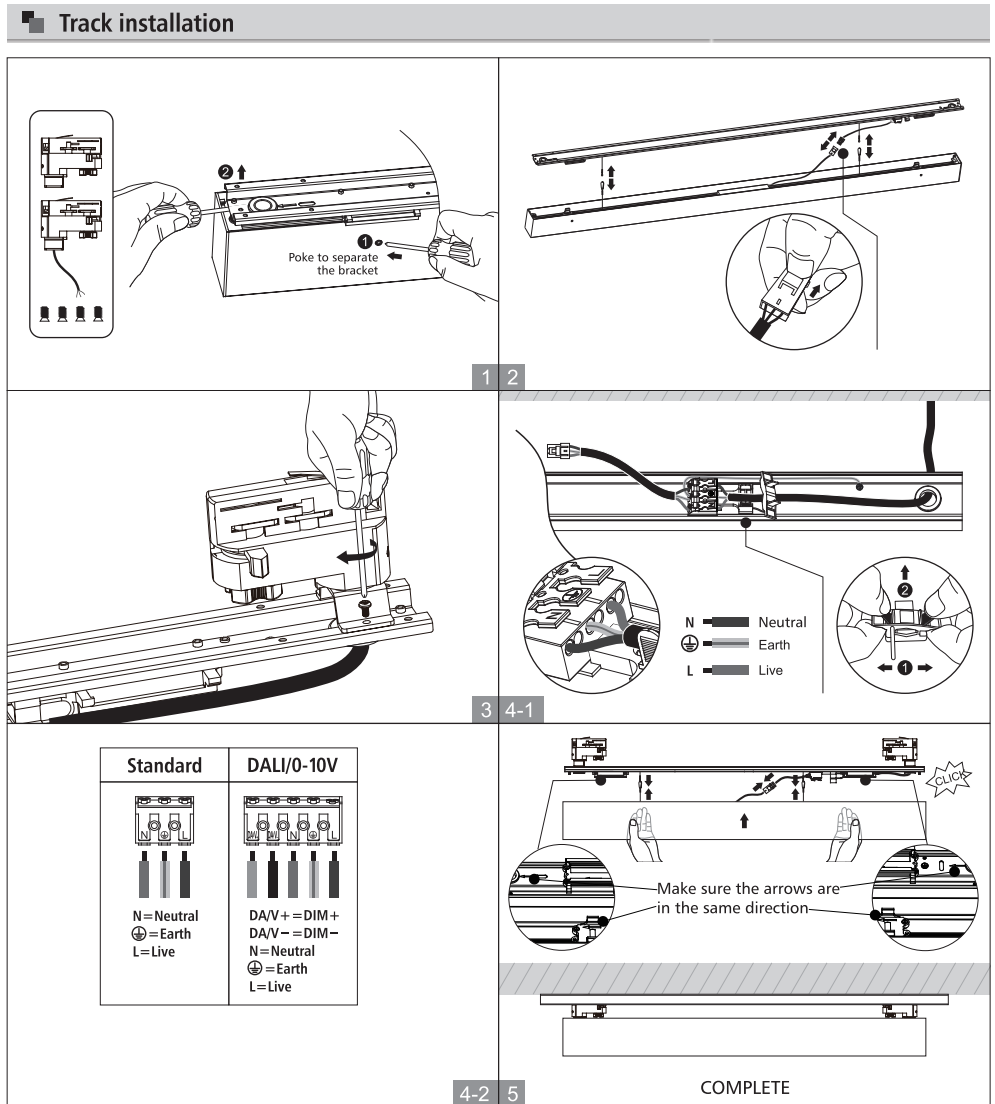
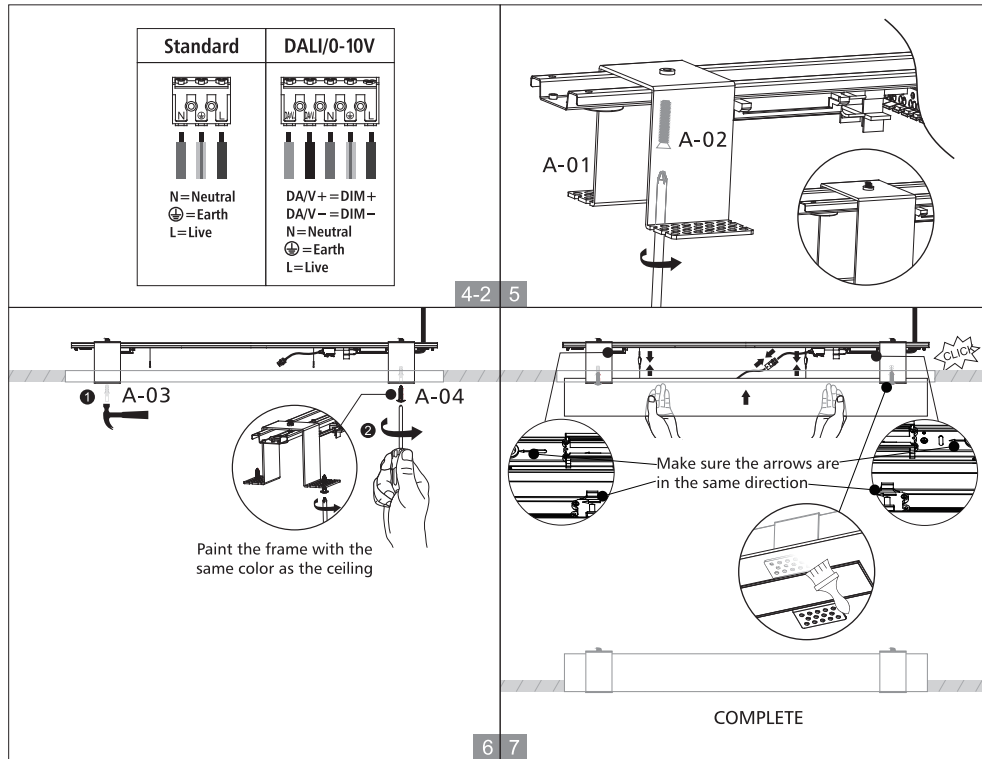


1 2

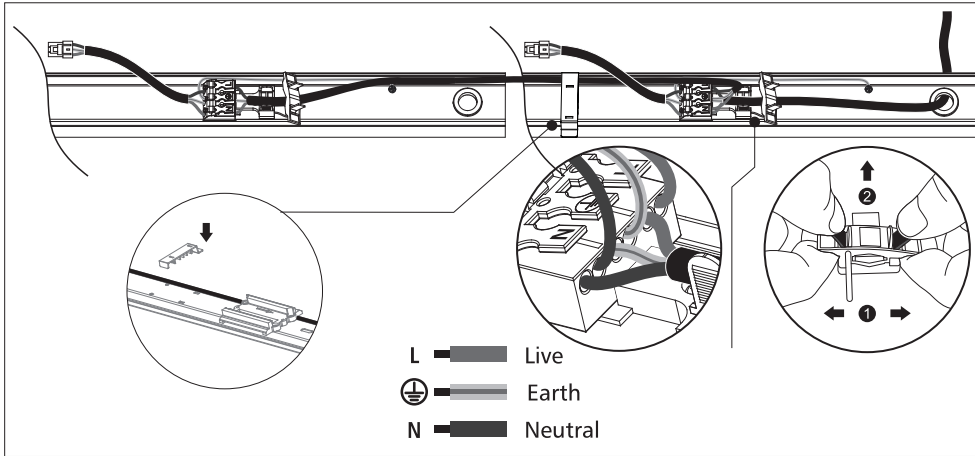


3 4-1

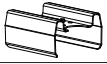
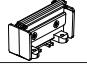


6



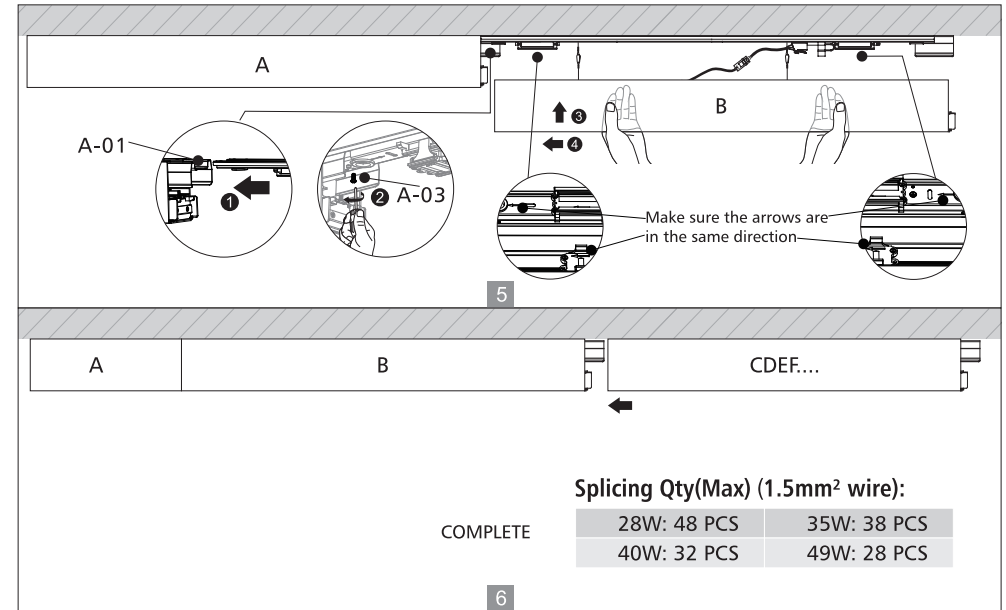
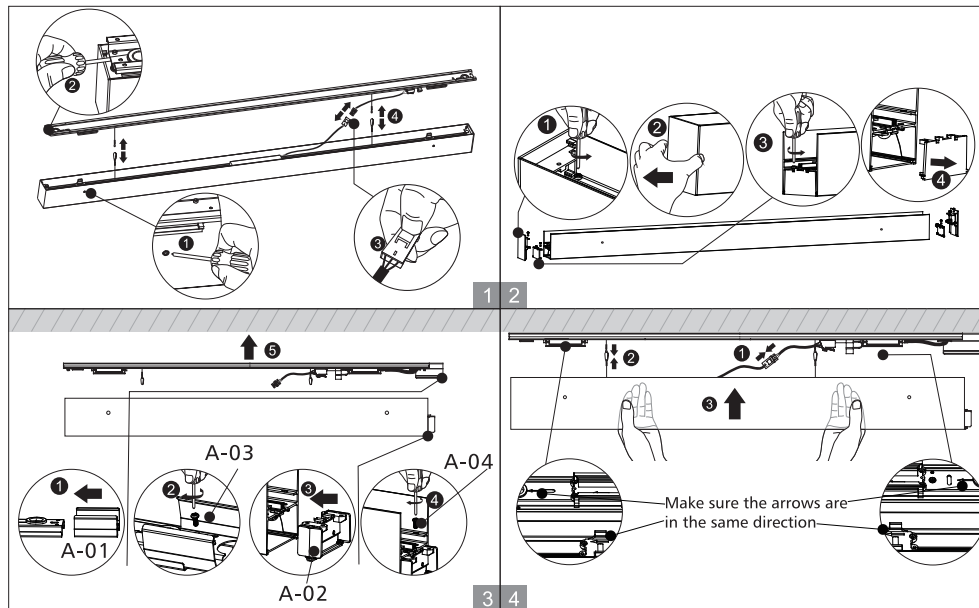
Wiring for splicing (not applicable for track installation)



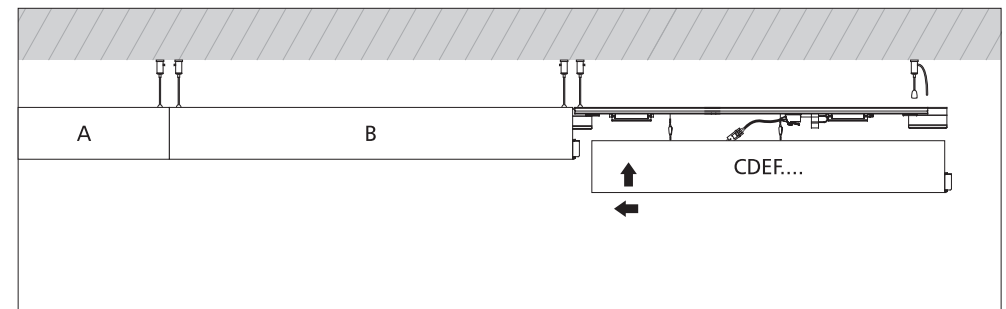
Universal accessories for splicing

Code	A-01 	A-02 	A-03 	A-04 
ACC	x1	x1	x4	x4

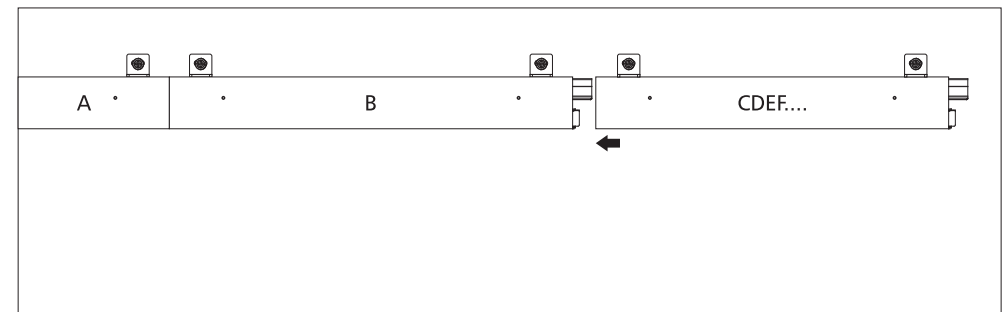
Surface mounted splicing installation



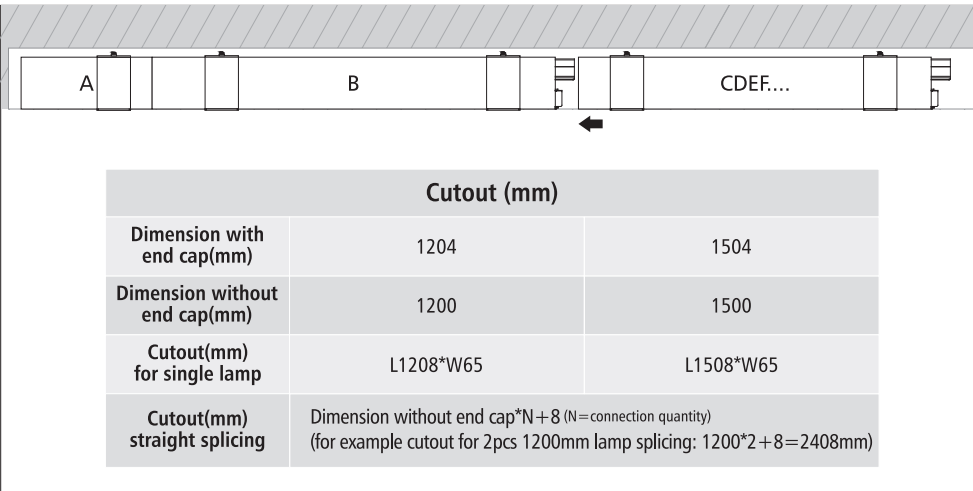
Suspended splicing installation



Wall mounted splicing installation

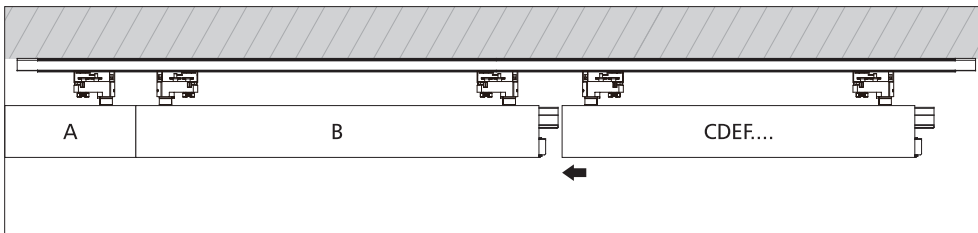


Recessed splicing installation



Cutout (mm)	
Dimension with end cap(mm)	1204 1504
Dimension without end cap(mm)	1200 1500
Cutout(mm) for single lamp	L1208*W65 L1508*W65
Cutout(mm) straight splicing	Dimension without end cap*N+8 (N=connection quantity) (for example cutout for 2pcs 1200mm lamp splicing: 1200*2+8=2408mm)

Track splicing installation



Multi-connection Installation

