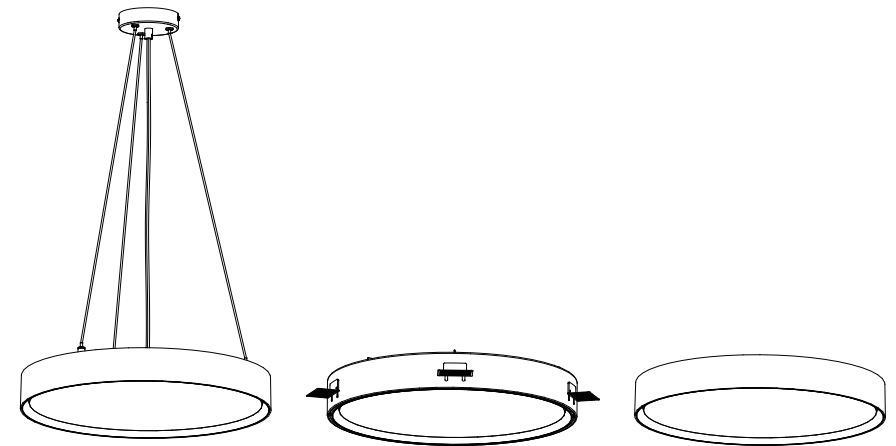


BEDIENUNGSANLEITUNG

S00-32095-3SGD
S00-32095-3SSD
S00-32095-3WGD
S00-32095-3WWD
S00-32095-4SGD
S00-32095-4SSD
S00-32095-4WGD
S00-32095-4WWD
Anbauleuchte GLARO



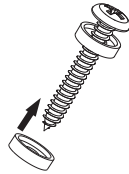
Important Safety Instructions

To ensure correct function and safety, please read and follow all instructions carefully before using the product:

1. Turn off power supply before installation or before doing any maintenance work.
2. Do not install any luminaire near the heat source.
3. Do not exceed the nominal supply voltage or amperage ratings.
4. All wiring and installation of the light fitting must adhere to local and national wiring rules.
5. Take care not to pull any electrical wires during unpacking as this may damage the connection.
6. Lay out all the components on a smooth surface and make sure there are no components missing before assembling.
7. To avoid injury or damage to the fitting, please ensure that power leads and screws are secure before connecting the power.
8. Please keep instructions for future reference.
9. Please refer to IP(Ingress Protection) rating of this luminaire when deciding the location of installation.

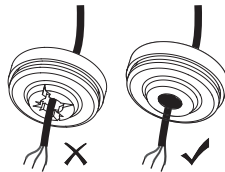
Waterproof Installation Tips(If applicable)

Waterproof gasket for screwing



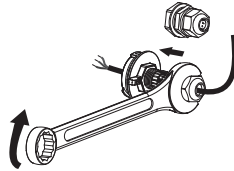
Fasten the waterproof gasket into the mounting screws to prevent water from leaking inside.

Waterproof grommet for cable entry



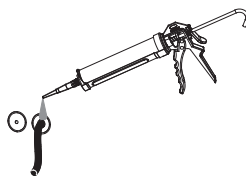
If there is gap between cable and waterproof grommet, please fill it with water-resistant silicone caulk to prevent water from leaking inside.

Waterproof cable Gland for mains entry



Ensure that the waterproof cable gland is tightened to prevent water from leaking inside.

Water-resistant silicone caulk in knock out hole



Caunks in knock out holes are tight enough to avoid dust, insects, and especially water from leaking inside.

1

Installation Instruction

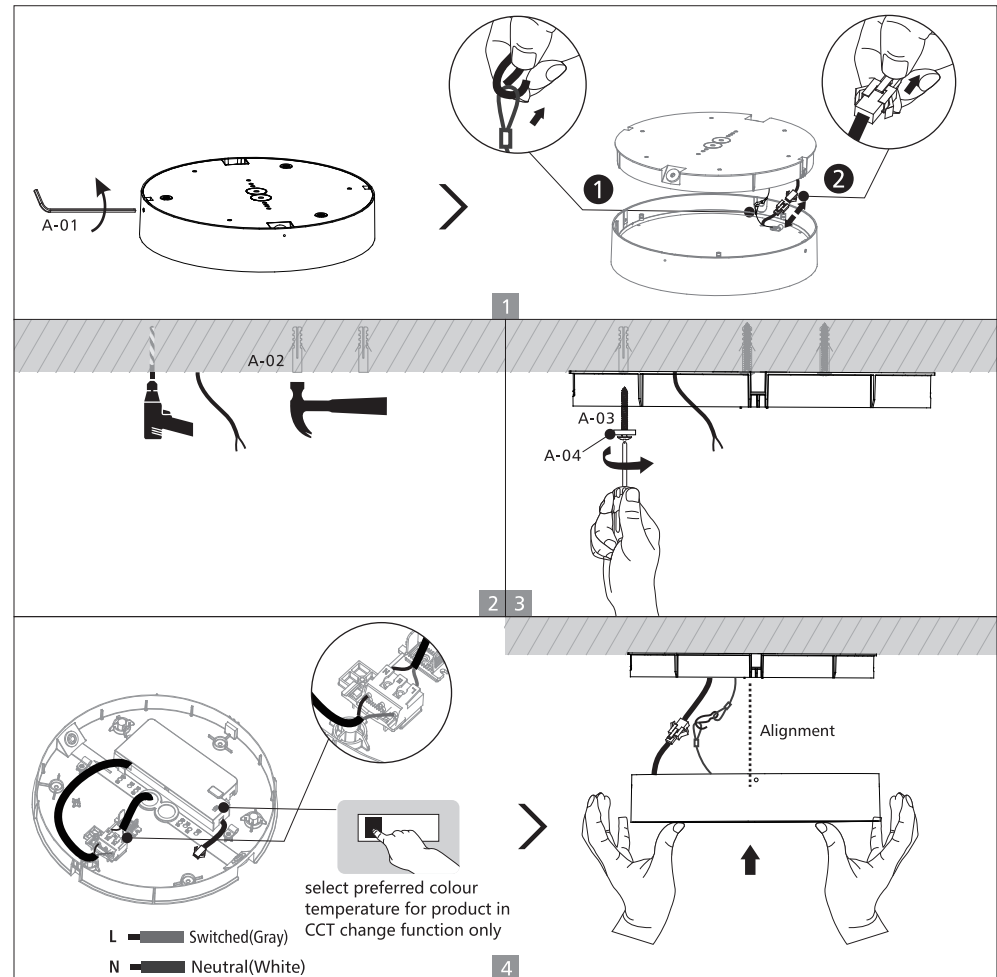
WARNING ⚡

1. Switch off before installation.
2. Switch on only after complete installation and examination of the circuit.
3. Professional electrician for installation and maintenance only.

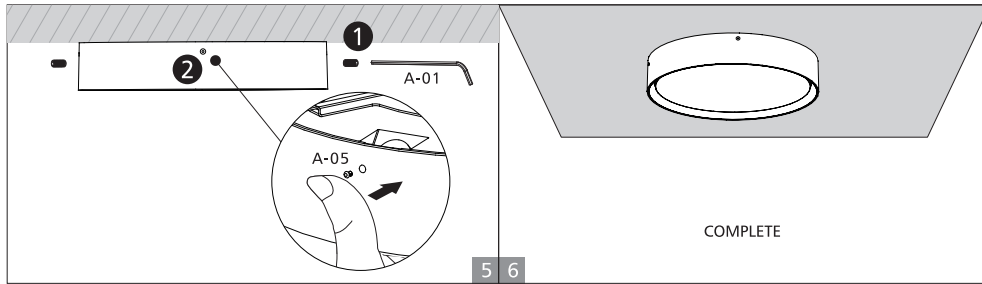


Surface mounted installation

Code	A-01	A-02	A-03	A-04	A-05	A-06
12inch	x1	x3	x3	x3	/	x2
16inch	x1	x3	x3	x3	x2	x2



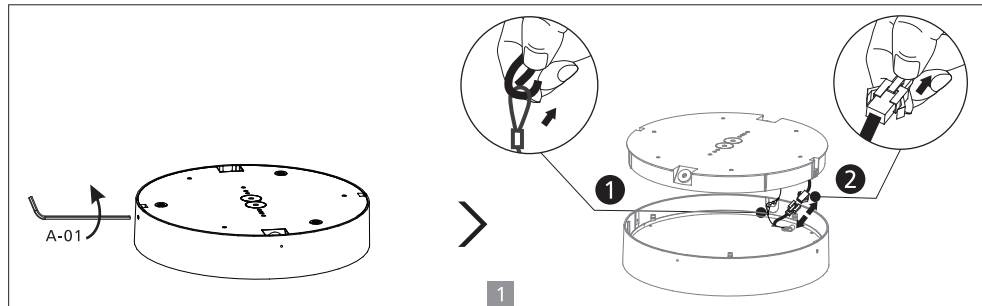
2



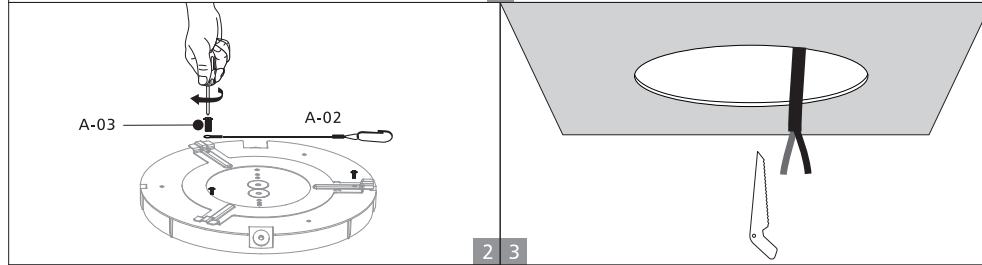
5 6

Recessed installation

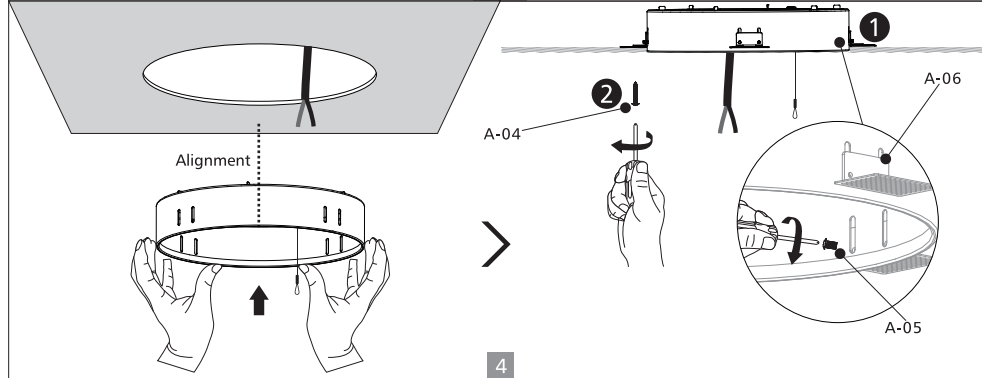
Code	A-01	A-02	A-03	A-04	A-05	A-06
12inch	x1	x1	x3	x8	x8	x4
16inch	x1	x1	x3	x10	x10	x5



1

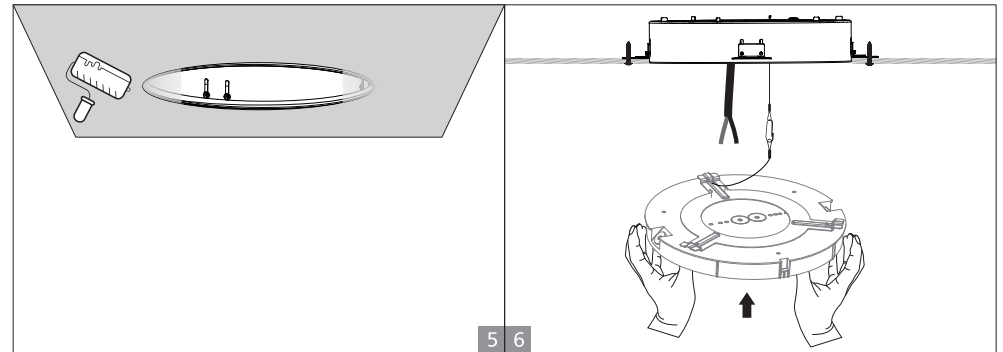


2 3

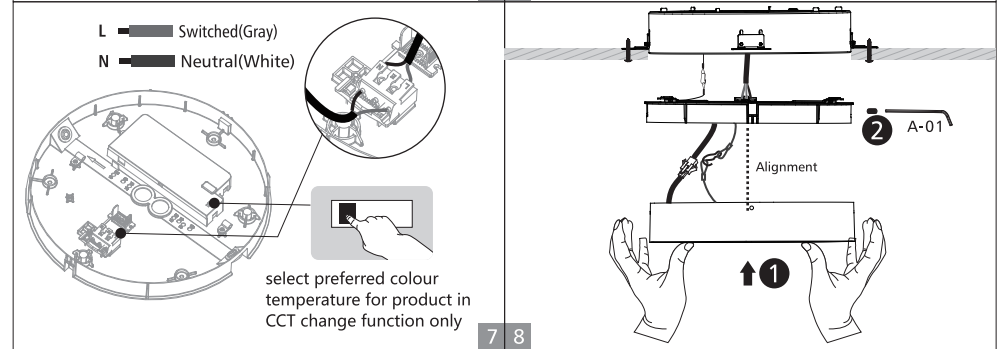


4

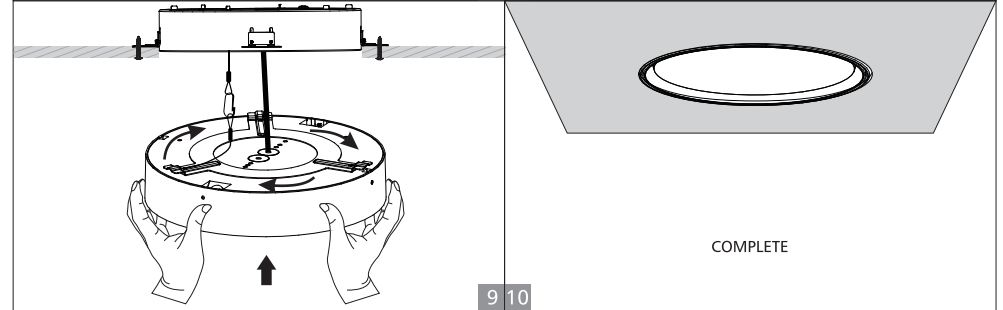
3



5 6



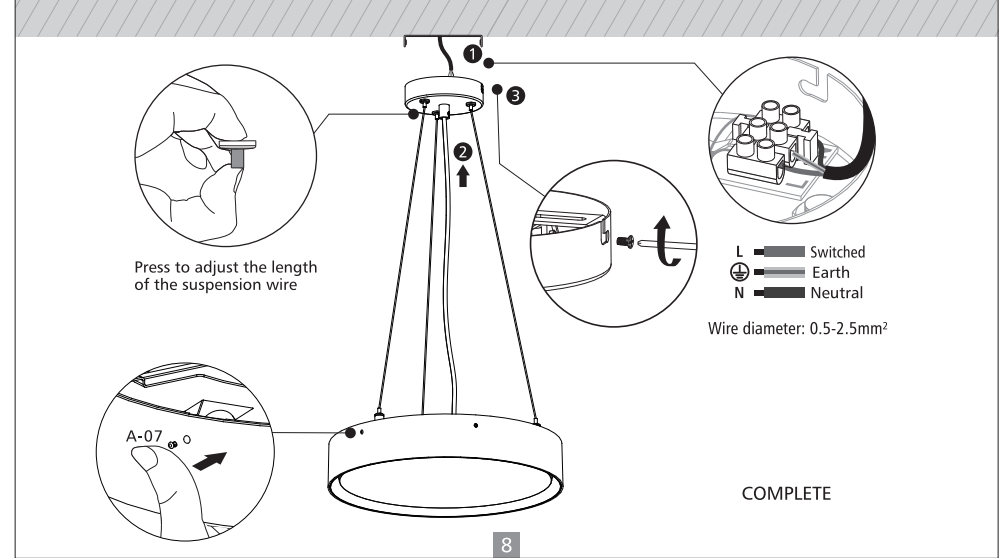
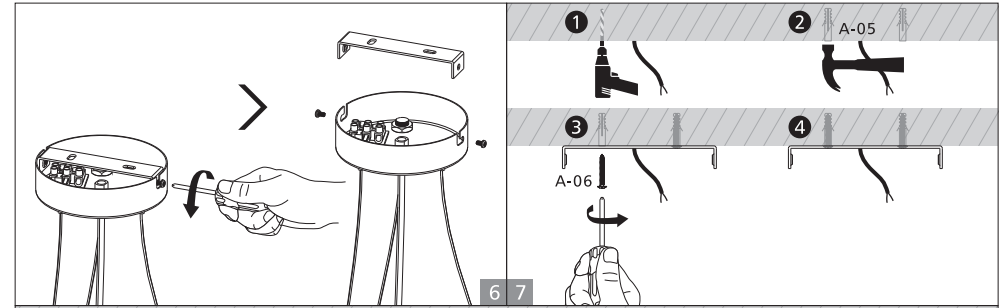
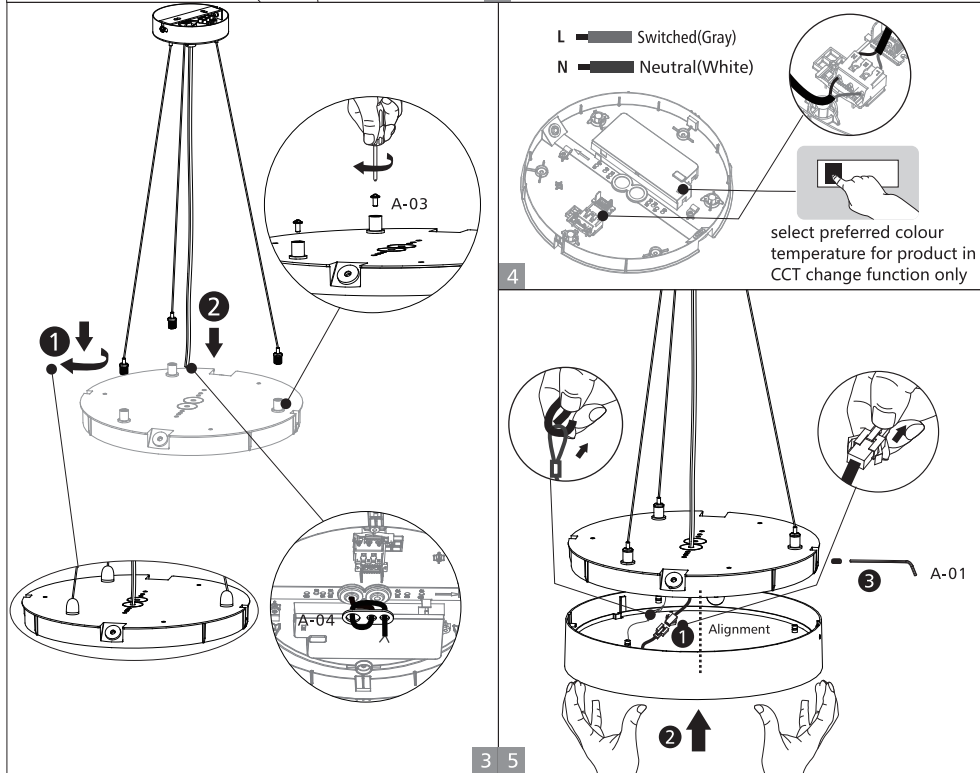
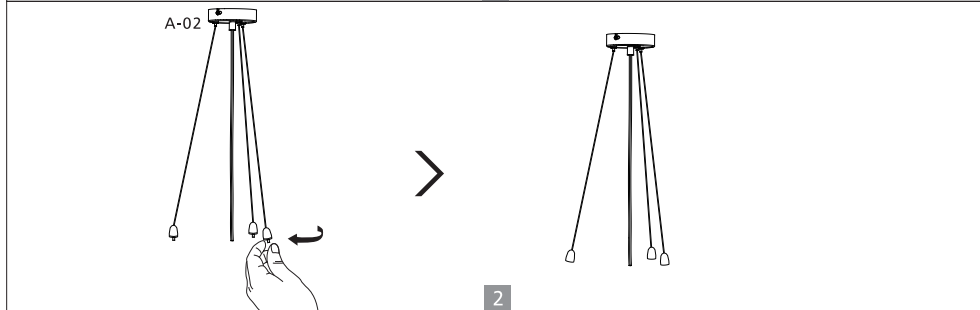
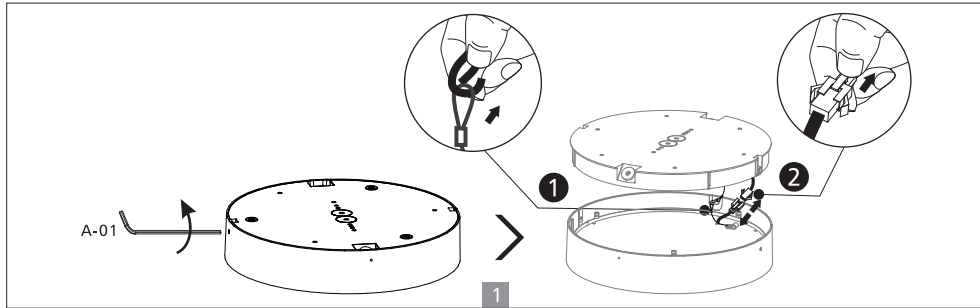
7 8



9 10

Suspended installation (With round ceiling plate)

Code	A-01	A-02	A-03	A-04	A-05	A-06	A-07
12inch	x1	x1	x3	x1	x2	x2	/
16inch	x1	x1	x3	x1	x2	x2	x2



Dieses Produkt enthält eine Lichtquelle der Energieeffizienzklasse <F>.

